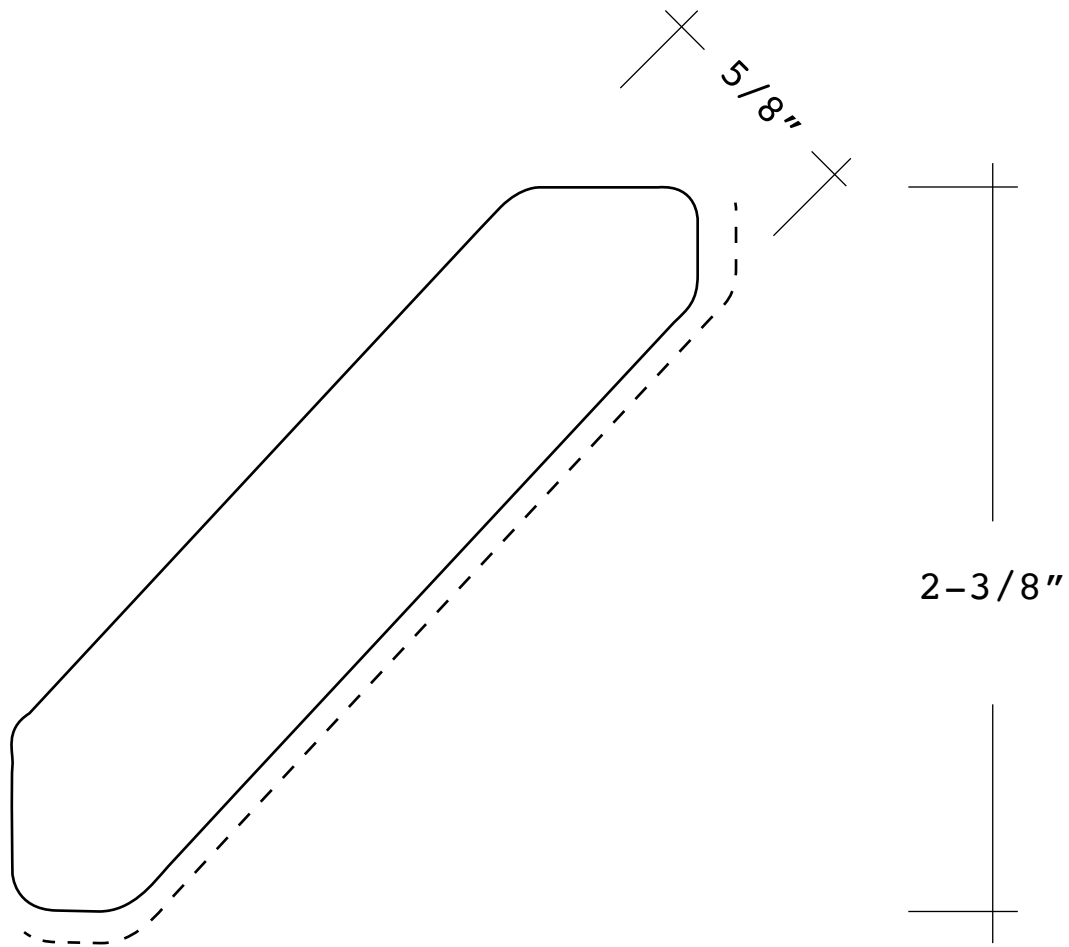


# 1004 - FACEMOUNT



## Specification

Core: MDF  
Wrapped Surface



7345 E Danbro Crescent,  
Mississauga, ON L5N 6P8  
(289) 866-2673

NUMBER

**1004**

STYLE

**FACEMOUNT**

DATE

**07-24-23**