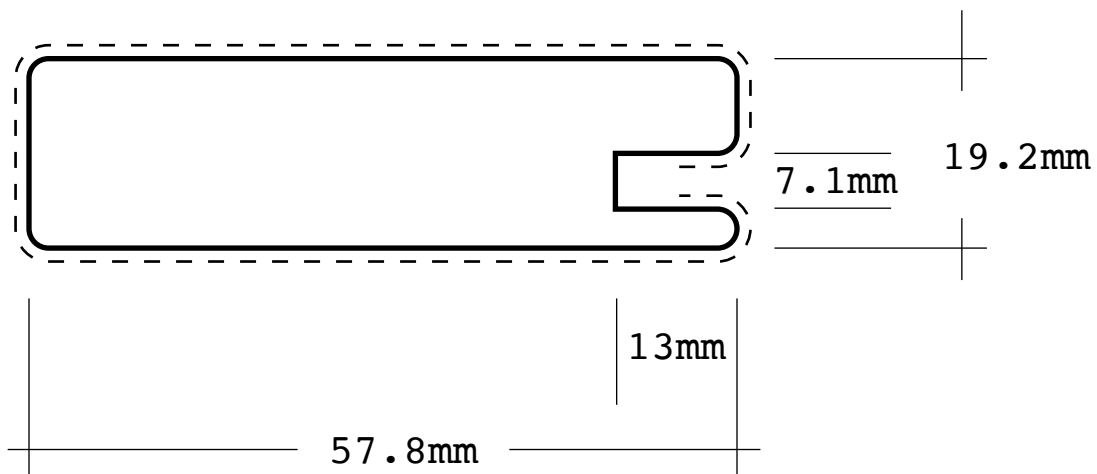


1017 - SHAKER RAIL



Specification

Core: MDF
Wrapped Surface
Tolerance +/- 0.2mm
Outside Radius: 1.5mm